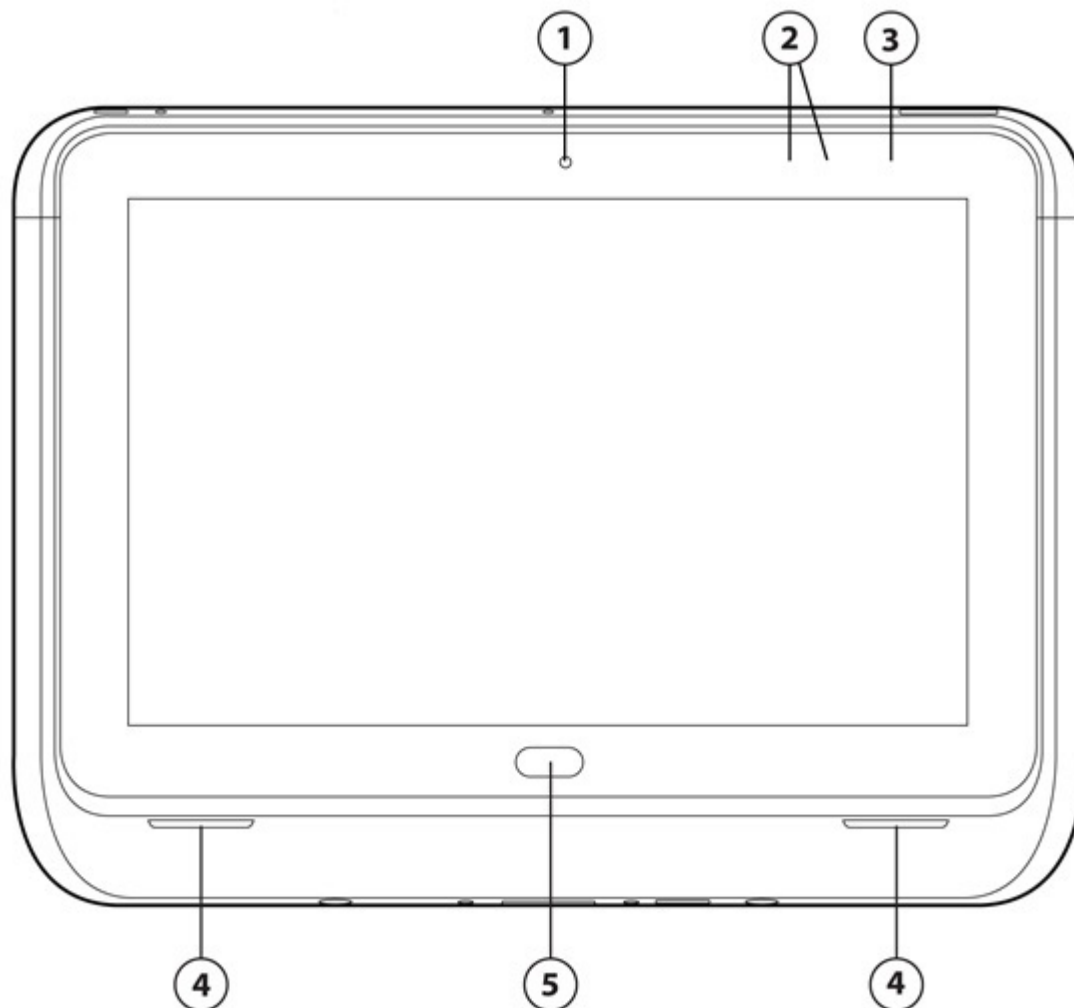


Overview

HP ElitePad Mobile POS Solution

Front View

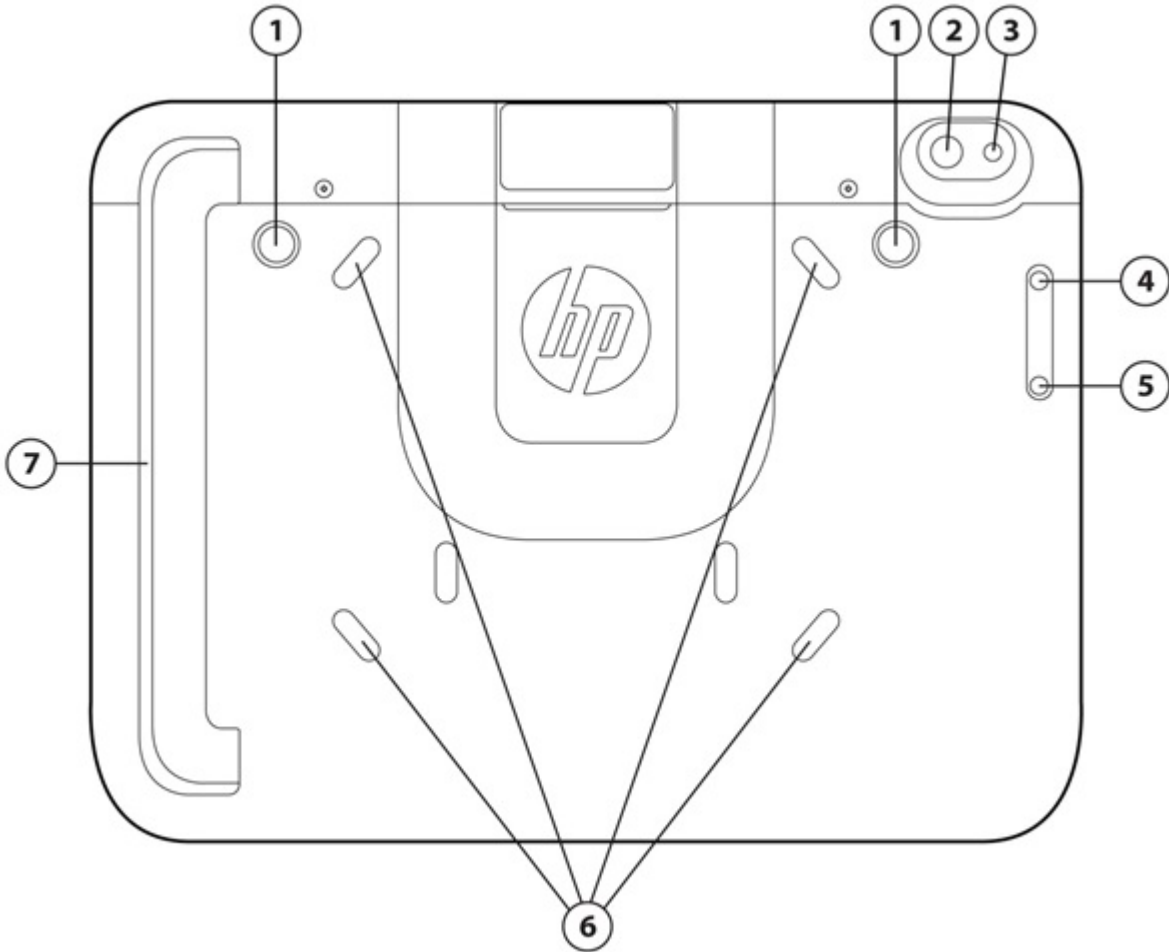


- 1. 1080p camera
- 2. WLAN antennas
- 3. Camera LED indicator

- 4. Stereo speakers
- 5. Windows 8 button

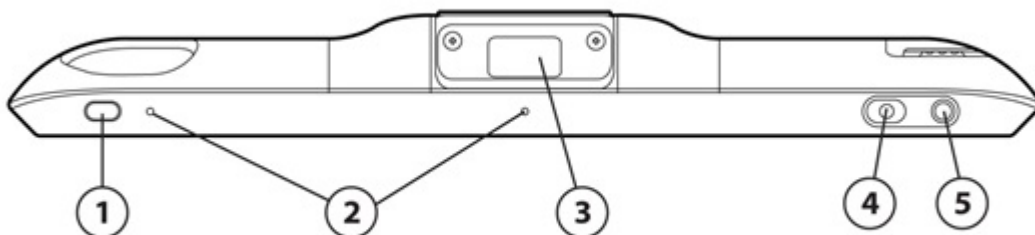
Rear View

Overview



- 1. Barcode scanner trigger button (2)
- 2. 8MP camera
- 3. Flash LED
- 4. Volume up
- 5. Volume down
- 6. Hand strap connection point (4)
- 7. Magnetic stripe reader

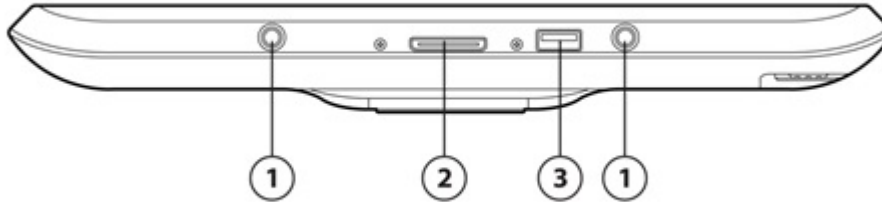
Top View



Overview

1. Power button
2. Integrated microphone (dual-microphone array)
3. Barcode scanner
4. Rotation Lock Switch
5. Combo headphone / microphone jack

Bottom View

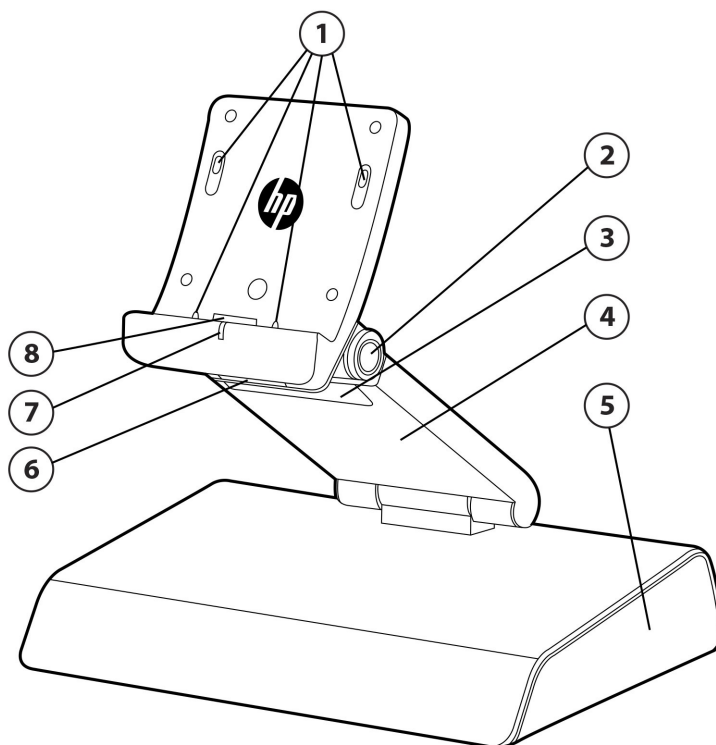


1. Shoulder strap connection point (2)*
 2. System connector
 3. USB port
- * Shoulder slings not sold by HP, but are available from various third party retailers.

HP Retail Expansion Dock for ElitePad

Front View

Overview

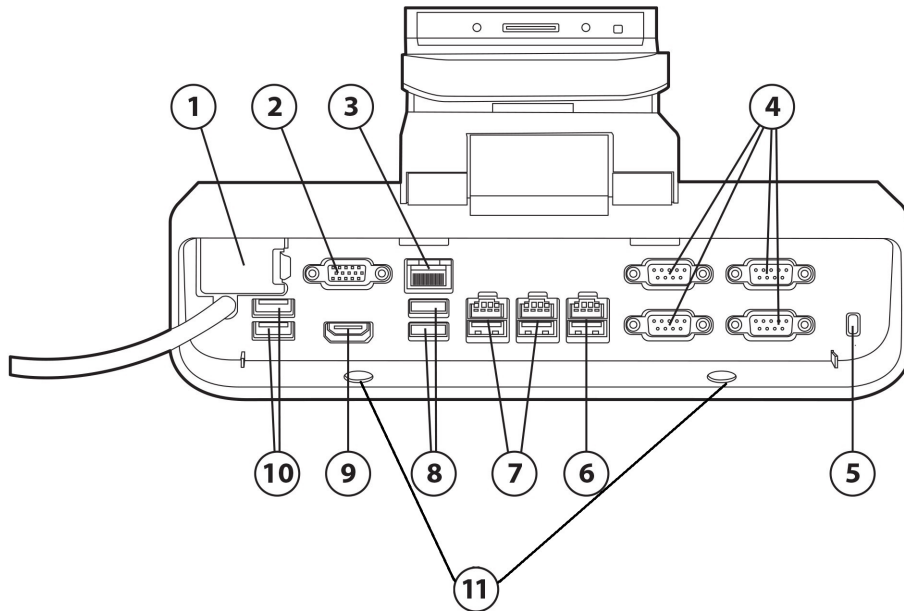


1. Docking hooks and guide posts
2. Key Lock
3. Arm release lever
4. Dual-hinge arm

5. Side access panel
6. Eject Switch
7. Charging LED
8. Docking Connector

Back View

Overview

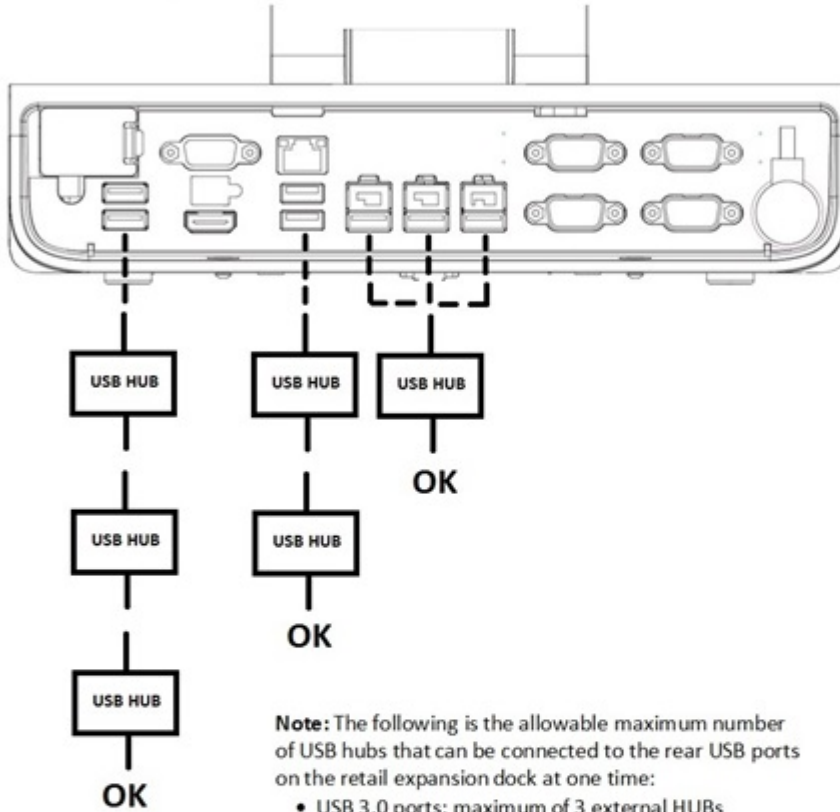


- | | |
|--|--------------------------------|
| 1. AC access door | 7. 12V Powered USB (2) |
| 2. VGA | 8. USB 2.0 (2) |
| 3. RJ-45 (Ethernet) | 9. HDMI |
| 4. Serial ports (4) (power configurable) | 10. USB 3.0 (2) |
| 5. Security lock slot | 11. Counter top mounting holes |
| 6. 24V powered USB | |

Back View, Arm Extended

Overview

The USB specification allows for up to five USB hubs to be connected. Since the retail expansion dock has several internal hubs, the diagram below depicts the maximum number of external hubs allowed for each USB port.



Note: The following is the allowable maximum number of USB hubs that can be connected to the rear USB ports on the retail expansion dock at one time:

- USB 3.0 ports: maximum of 3 external HUBs
- USB 2.0 ports: maximum of 2 external HUBs
- 12V powered USB and 24V powered USB ports: maximum of 1 external HUB

Exceeding the maximum number of allowed hubs will result in an error message in Windows and will be non-operational:



Overview

The HP MX10 Retail Solution includes the HP ElitePad, the HP Retail Jacket and the HP Retail Expansion Dock. The HP ElitePad is designed to look great, built to last, and works dependably everywhere from the store floor to the back room. The HP Retail Jacket features a fully integrated design with built-in POS functionalities and when coupled with the ElitePad, allows associates to accelerate checkout, increase sales, and respond more quickly to customers. Dock the HP ElitePad Mobile POS Solution into the HP Retail Expansion Dock and plug into your complete range of retail peripherals for a fully integrated solution and comprehensive sales transaction.

The HP MX10 Solution can be used to assist store management with internal communication, reporting, and workforce management, bringing the store experience, both front end and back, to the next level.

At A Glance

- ElitePad
 - Windows 8 Pro 32-bit**†
†HP recommends Windows.
 - Intel® Atom™ Z2760 (1.5 GHz, up to 1.8 GHz using Intel Burst Technology and Intel Hyper-Threading Technology, 1 MB cache, 2 cores)
 - Intel® Graphics Media Accelerator; 533 MHz
 - 10.1-inch diagonal WXGA ultra-wide-viewing angle display (1280 x 800)
 - Multi-touch capacitive digitizer, tough, durable Corning® Gorilla® Glass 2 w/Anti-smudge coating
 - Two integrated webcams (1080p (front facing); 8 MP with LED (rear facing))
 - 64 GB embedded Multi Media Card****
 - 2 GB memory
 - 2-cell (25 WHr) polymer HP Long Life battery
 - 802.11a/b/g/n (2x2) Bluetooth® 4.0 Combo**
 - Standard 1-year warranty with HP Care Pack upgrades available
- HP Retail Jacket for ElitePad
 - 1D/2D barcode scanner
 - Three-track, bi-directional magnetic stripe reader
 - USB port
 - Hand strap
 - Shoulder sling provisions***
 - Optional battery
- HP Retail Expansion Dock for ElitePad
 - 6 USB ports
 - 4 Serial ports for legacy peripherals
 - 1 HDMI connector and 1 VGA connector
 - 1 RJ-45 (Ethernet)

* This system is Windows 8 certified and supports the new Windows UI. The integrated display resolution is below the threshold for Snap, a Windows UI feature that allows two Windows Store apps to be viewed simultaneously. This feature may be enabled by attaching an external 1366 x 768 or higher resolution display.

Not all features are available in all editions of Windows 8. Systems may require upgraded and/or separately purchased hardware, drivers and/or software to take full advantage of Windows 8 functionality. See <http://www.microsoft.com/>

**Wireless access point and Internet service is required and is not included. Availability of public wireless access points limited.

*** "Shoulder slings not sold by HP, but are available from various third party retailers.

**** For storage drives, GB = 1 billion bytes. Actual formatted capacity is less. Up to 5GB of system disk (for Windows 8) is reserved for system recovery software.

Overview

Model

HP Retail Jacket for ElitePad

E6R78AA

COMPATIBILITY

- Compatible with the HP ElitePad 900

Features

PRODUCT NAME

HP MX10 Retail Solution

Part numbers:

- | | |
|--|-------------|
| • HP ElitePad Mobile POS Solution (no battery) | E6R78AA |
| • HP ElitePad Mobile POS Solution (with battery) | XXXXXX |
| • (AMO) HP Retail Expansion Dock for ElitePad | F3K89AA#xxx |

HP ELITEPAD 900

OPERATING SYSTEM

Preinstalled Windows 8 Pro* 32-bit†

* This system is Windows 8 certified and supports the new Windows UI. The integrated display resolution is below the threshold for Snap, a Windows UI feature that allows two Windows Store apps to be viewed simultaneously. This feature may be enabled by attaching an external 1366 x 768 or higher resolution display.

†HP recommends Windows.

PROCESSOR*

Intel® Atom™ Z2760 (1.5 GHz, up to 1.8 GHz using Intel Burst Technology and Intel Hyper-Threading Technology**, 1 MB cache, 2 cores)

* Multi-Core is designed to improve performance of certain software products. Not all customers or software applications will necessarily benefit from use of this technology. 64-bit computing on Intel® architecture requires a computer system with a processor, chipset, BIOS, operating system, device drivers, and applications enabled for Intel® 64 architecture. Processors will not operate (including 32-bit operation) without an Intel® 64 architecture-enabled BIOS. Performance will vary depending on your hardware and software configurations. Intel's numbering is not a measurement of higher performance.

** Intel HT Technology (HT) is designed to improve performance of multi-threaded software products and requires a computer system with a processor supporting HT and an HT-enabled chipset, BIOS and OS. Please contact your software provider to determine compatibility. Not all customers or software applications will benefit from the use of HT. See <http://www.intel.com/info/hyperthreading> for more information.

INTEL BURST TECHNOLOGY (INTEL BPT)

Enables the processor to dynamically burst to higher performance, making it possible to provide on-demand, higher performance in small device form factors.

GRAPHICS

Intel® Graphics Media Accelerator; 533 MHz

Features

DISPLAY

Internal

10.1-inch diagonal WXGA wide-viewing angle display (1280 x 800)

- Ultra- Wide-viewing angle
- Capacitive multi-touch screen with digitizer
- Auto rotate (selectable)
- Tough, durable Corning® Gorilla® Glass 2
- Anti-smudge coating

External

Up to 32-bit per pixel color depth

HDMI

Supports resolutions up to 1920x1080 @ 60 Hz

STORAGE AND DRIVES

Internal Storage Device

64 GB* embedded Multi Media Card SSD

* For Solid State Drives (SSD), GB = 1 billion bytes. Actual formatted capacity is less. Up to 5 GB for Windows 8 is reserved for system recovery software.

MicroSD card slot supported

* Accessible when ElitePad is removed from the Retail Jacket

Removable Storage

Optional HP External Optical Drive

MEMORY

Standard

2 GB * memory

* Maximum Memory operates at the maximum system supported speed of 533 MHz

NETWORKING/COMMUNICATIONS

Wireless*

Support for secure, integrated wireless LAN featuring support for the latest industry standards.

802.11a/b/g/n (2x2) Bluetooth® 4.0 Combo

* Wireless access point and Internet service is required and is not included. Availability of public wireless access points limited.

Features

AUDIO/MULTIMEDIA

Audio

SRS Audio

Integrated stereo speakers

Integrated microphone (dual-microphone array) (noise cancelling and beam forming)

Combo stereo/headphone/microphone jack

Cameras

Integrated 1080p** with LED (front-facing)

8MP (rear facing)

** Internet access required.

INPUT DEVICES

Optional HP Slim Bluetooth Keyboard*

* Sold separately or purchased as an optional feature.

SENSORS

Accelerometer

eCompass

Gyroscope

Ambient Light Sensor

Proximity Sensor (disabled when Retail Jacket is attached)

SOFTWARE AND SECURITY

Preinstalled Software with Windows Operating System

HP ePrint*

HP PageLift

HP Support Assistant

* Requires an Internet connection to HP web-enabled printer. Printer requires HP ePrint account registration. Mobile device requires Internet connection. May require wireless access point. Separately purchased data plans or usage fees may apply. Driver update may be required. For more details, visit: www.hp.com/go/eprintsoftware.com.

Security

HP Client Security*

- Security Manager
- Credential Manager
- Password Manager**
- Device Access Manager with Just In Time Authentication
- SpareKey***
- Drive Encryption****

Microsoft Defender (internet access required for updates)

Intel Platform Trust Technology*****

BIOS Protection

Preboot Security

Features

Absolute Data Protect*****

* Requires Microsoft Windows and initial user set up.

** Requires Internet Explorer, some websites and applications may not be supported.

***Requires initial user setup.

**** Requires Windows. Data is protected prior to Drive Encryption login. Turning the PC off or into hibernate logs out of Drive Encryption and prevents data access.

***** Intel Platform Trust Technology maybe disabled in some countries. Check with for availability outside the U.S.

***** HP ElitePad includes a 4 year license of Absolute Data Protect to locate your device, lock and prevent unauthorized access and remotely delete personal data. See <http://www.absolute.com/landing/2012/computrace-hp> for complete details. Absolute Data Protect agent is shipped turned off, and must be activated by customers. Service may be limited, check with Absolute for availability outside the U.S. The optional subscription service of Absolute Recovery Guarantee is a limited warranty. Certain conditions apply. For full details visit: <http://www.absolute.com/company/legal/agreements/computrace-agreement>. If Data Delete is utilized, the Recovery Guarantee payment is null and void. In order to use the Data Delete service, customers must first sign a Pre-Authorization Agreement and either create a PIN or purchase one or more RSA SecurID tokens from Absolute Software.

MANAGEMENT

LANDesk Management Suite*

LANDesk Security Suite*

HP System Software Manager (available at no charge as a download from the web)

HP Softpaq Download Manager (available at no charge as a download from the web)

* LANDesk software is sold separately. Requires GPS for location based functionality. Managed devices must be connected to the management server. Location based functionality requires active LANDesk maintenance service or purchase of updated LANDesk license with location based settings. Wipe functionality performs a "Windows 8 Reset" and requires Windows 8. Lock performs a Windows "Lock Computer."

POWER

Power Supply

External 10-watt HP ElitePad 10W Smart A/C Adapter with detachable duck-heads
Total length is 5.9 ft (180 cm).

Primary Battery

2-cell (25 WHr) polymer HP Long Life battery

Battery Life

Up to 7 hours and 45 minutes**

Battery Life with Primary Battery and HP Retail Jacket for ElitePad with optional Battery*

Up to 15 hours with dual batteries***

System Standby Time

Up to 2 weeks

* Secondary battery sold separately or as an optional feature.

** Testing conducted by HP consisting of full battery discharge while running a series of productivity scripts against the following applications (which may or may not be included with your particular product): Adobe® Acrobat Reader 7.0, Adobe® Illustrator® CS2, Adobe® Photoshop® CS2, Apple® Quicktime 7.1, Intervideo® WinDVD® 8, Macromedia® Flash 8, Microsoft® Office® 2003 Pro, Microsoft® Project 2003, and Winzip® 10.0. Prior to testing, the system was fully charged, display brightness was set at 60 nits, wireless was turned off, and auto dim, suspend, hibernate and all other programs, utilities, and services not essential to running the computer system or battery life test were disabled. Battery life will vary depending on the product model, configuration, loaded applications, features, use, wireless functionality and power management settings. The maximum capacity of the battery

Features

will naturally decrease with time and usage.

*** Requires separately purchased HP Retail Jacket for ElitePad with additional battery. Testing conducted by HP consisting of full battery discharge while running a series of productivity scripts against the following applications (which may or may not be included with your particular product): Adobe® AcrobatReader 7.0, Adobe® Illustrator® CS2, Adobe® Photoshop® CS2, Apple® Quicktime 7.1, Intervideo® WinDVD® 8, Macromedia® Flash 8, Microsoft® Office® 2003 Pro, Microsoft® Project 2003, and Winzip® 10.0. Prior to testing, the system was fully charged, display brightness was set at 60 nits, wireless was turned off, and auto dim, suspend, hibernate and all other programs, utilities, and services not essential to running the computer system or battery life test were disabled. Battery life will vary depending on the product model, configuration, loaded applications, features, use, wireless functionality and power management settings. The maximum capacity of the battery will naturally decrease with time and usage.

Power Conservation

Balanced

WEIGHTS & DIMENSIONS

HP ElitePad 900

Weight

Starting at 1.38 lbs (630 g)*

Dimensions (w x d x h)

7.00 x 10.28 x 0.36 in / 178 x 261 x 9.2 mm

* Weight will vary by configuration.

NOTE: Height varies depending upon where on the device the measurement is made. Tablet weight includes 2-cell battery, solid state drive, and 2 GB memory. Weight varies by configuration and components.

PORTS/SLOTS

Ports

Headphone/Microphone Combo Jack – One

Power Connector – One

Expansion Slot*

Micro SDHC card slot

*Accessible when ElitePad 900 is removed from HP Retail Jacket.

HP RETAIL JACKET FOR ELITEPAD

Dimensions (W x D x H) 8.15 x 10.91 x 1.26 in (207 x 277 x 32 mm)

Weight 1.24 lbs (563 g) (jacket with weight saver)

Ports / connectors USB port
Power/system connector

Additional feature Hand strap (right or left handed orientation)

Drivers Windows native, OPOS, JavaPOS, POS for .NET (MSR only)

Stand-alone power requirements

Normal Operating Voltage	6.5 V
Average Operating Power	8.952 W
Max Operating Power	< 40 W

Features

Temperature	Operating	41° to 95° F (5° to 35° C)
	Non-operating	-4° to 140° F (-20° to 60° C)
Relative humidity	Operating	10% to 90%, relative humidity
	Non-operating	5% to 95% relative humidity, 101.6° F (38.7° C) maximum wet bulb temperature
Altitude	Operating	-50 to 10,000 ft (-15.24 to 3,048 m)
	Non-operating	-50 to 40,000 ft (-15.24 to 12,192 m)
Shock	Operating	40 G, 2 ms, half-sine
	Non-operating	200 G, 2 ms, half-sine
Random vibration	Operating	10-500 Hz, 0.5 grms
	Non-operating	10-500 Hz, 1.0 grms
Barcode scanner	Scanner type	Omni-directional
	Light Source	622 nm - 628 nm visible LED
	Nominal working distance/depth of field	35 mm - 210 mm
	Print contrast	=30%
	Scan angle	36° (horizontal)
	Decode symbologies factory default barcodes	<ul style="list-style-type: none"> ● Code39* ● Code93* ● Code128* ● UPC-A* ● UPC-E* ● EAN-8* ● EAN-13* ● PDF417* ● UCC/EAN 128* ● GS1 Databar* ● QR Code* ● Data Matrix*

* Factory setting has these code selections enabled by default

Available symbologies

1D symbologies: Code128, EAN-13, EAN-8, Code39, UPC-A, UPC-E, Codabar, Interleaved 2 of 5, ISBN, Code93, UCC/EAN-128, S1 Databar, etc.

2D symbologies: PDF417, QR Code (model ½), Datamatrix (EC200, ECC000, 050, 080, 100, 140), Aztec, Maxiode, etc.

Magnetic Stripe Reader	General	Bi-directional Reads up the three (3) tracks
	Formats	Reads ISO 7811, ASMVA cards
	Card thickness	0.015 to 0.045 in (0.38 to 114 mm)
	Slot width	0.045 to 0.061 in (1.15 to 1.55 mm)
	Reliability	500,000 card swipes

Features

Encryption	Supported algorithms: Triple DES, AES Supported key management: DUKPT, Fixed Shipped with encryption disabled*
-------------------	--

* The MSR is shipped in unencrypted mode so that data is transmitted in clear text. Encryption mode may be enabled by customer using separately purchased injection service. Additional service fees may apply to process payment transactions. Internet access required.

HP RETAIL JACKET FOR ELITEPAD WITH BATTERY

Dimensions	Battery and Jacket (H x W x D)	8.15 x 10.91 x 1.26 in (207 x 277 x 32 mm)	
	Battery only (H x W x D)	4.3 x 118.5 x 200 mm	
Weight	Jacket and Battery	1.50 lbs (682 g)	
Ports/connectors	(1) USB port		
Additional features	(1) Power/system connector (1) Hand strap (right or left-handed orientation)		
Drivers	Windows native, OPOS, JavaPOS, POS for .NET (MSR only)		
Specs		HP ElitePad Main Battery	HP ElitePad Jacket Battery
Battery Cells/Type		Lithium-ion Polymer	Lithium-ion Polymer
Energy	Voltage	7.4V	7.4V
	Amp-hour capacity	3.38Ah	2.96Ah
	Watt-hour capacity	25Wh	21Wh
Temperature Battery	Operating (Charging)	32° to 113° F (0° to 45° C)	32° to 113° F (0° to 45° C)
	Operating (Discharging)	14° to 140° F (-10° to 60° C)	14° to 140° F (-10° to 60° C)
	Non-operating	-4° to 140° F (-20° to 60° C)	-4° to 140° F (-20° to 60° C)
Temperature Jacket Only	Operating	41° to 95° F (5° to 35° C)	
	Non-operating	-4° to 140° F (-20° to 60° C)	
Battery Re-Charge Time	System in OFF or Standby Mode	2.5~3.5 hours	1.5 to 3 hours
	System ON	2.5 to 5 hours	1.5 to 4 hours
Relative humidity (Jacket)	Operating	10% to 90%, relative humidity	
	Non-operating	5% to 95% relative humidity, 101.6° F (38.7° C) maximum wet bulb temperature	
Altitude (Jacket)	Operating	-50 to 10,000 ft (-15.24 to 3,048 m)	
	Non-operating	-50 to 40,000 ft (-15.24 to 12,192 m)	
Shock (Jacket)	Operating	40 G, 2 ms, half-sine	
	Non-operating	200 G, 2 ms, half-sine	
Random Vibration	Operating	10-500 Hz, 0.5 grms	
	Non-operating	10-500 Hz, 1.0 grms	
Fuel Gauge LED on Battery	No		

Features

Stand-alone power requirements for Jacket	6.5 V
Stand-alone power requirements for Jacket	8.952 W < 40 W
Power conservation	Standby, hibernation
Barcode scanner	Scanner type Omni-directional
	Light Source 622 nm - 628 nm visible LED
	Nominal working distance/depth of field 35 mm - 210 mm
	Print contrast =30%
	Scan angle 36° (horizontal)
	Decode symbologies factory default barcodes <ul style="list-style-type: none">● Code39*● Code93*● Code128*● UPC-A*● UPC-E*● EAN-8*● EAN-13*● PDF417*● UCC/EAN 128*● GS1 Databar*● QR Code*● Data Matrix*

* Factory setting has these code selections enabled by default

Available symbologies

1D symbologies: Code128, EAN-13, EAN-8, Code39, UPC-A, UPC-E, Codabar, Interleaved 2 of 5, ISBN, Code93, UCC/EAN-128, S1 Databar, etc.

2D symbologies: PDF417, QR Code (model ½), Datamatrix (EC200, ECC000, 050, 080, 100, 140), Aztec, Maxiode, etc.

Magnetic Stripe Reader	General	Bi-directional Reads up the three (3) tracks
	Formats	Reads ISO 7811, ASMVA cards
	Card thickness	0.015 to 0.045 in (0.38 to 114 mm)
	Slot width	0.045 to 0.061 in (1.15 to 1.55 mm)
	Reliability	500,000 card swipes
	Security	Triple DES Encryption Shipped with encryption disabled*
	Key Management	DUKPT Key Management

* The MSR is shipped in unencrypted mode so that data is transmitted in clear text. Encryption mode may be enabled by customer using separately purchased injection service. Additional service fees may apply to process payment transactions.

Features

HP RETAIL EXPANSION DOCK FOR ELITEPAD

Dimensions (H x W x D)	Fully extended with cable cover, without Retail Jacket	13.28 x 10.43 x 8.27 in (337.22 x 265 x 224.2mm)
	Fully collapsed with cable cover, without Retail Jacket	4.95 x 10.43 x 10.51in (125.82 x 265 x 267.03mm)
Weight	6.54 lb (2965 g). Includes embedded 150W power supply and AC power cord	
USB Ports	6 USB ports	(one 24V for printer, 2 12V for complex character VFD and optional PIN pad, four 5V for scanner, keyboard, mouse, cash drawer, etc.)
Serial Ports	4 Serial ports for legacy peripherals	(DB9, powered, jumper selectable - 5V/12V)
Video	1 HDMI connector and 1 VGA connector	
Network	1 RJ-45 (Ethernet)	
Security	Lock the HP ElitePad Mobile POS Solution to the HP Retail Expansion Dock with a key, secure the HP Retail Expansion Dock with a cable lock, or secure the HP Retail Expansion Dock to a counter or cash drawer with a bolt.	
Power	Internal HP 150W AC Adapter and power cord	
Power Supply (input)	Rated Voltage	100 to 240 V
	Rated Current	2.7A rms
	Line Frequency	50 - 60 Hz
Dual hinge	Ability to adjust tilt and height of HP ElitePad Mobile OS Solution while docked	
Option Kit Contents	HP Retail Expansion Dock for ElitePad, 150W AC Adapter, Power Cord, Input/Output cover, two keys, documentation	
Temperature	Operating	50° to 95° F (10° to 35° C)
	Non-operating	14° to 140° F (-10° to 60° C)
Relative Humidity	Operating/Non-condensing	10% to 90% relative humidity
	Non-operating	5% to 90% relative humidity, 101.6° F (38.7° C) maximum wet bulb temperature
Maximum Altitude	Operating	0 to 10,000 ft (0 to 3,048 m)
	Non-operating	0 to 30,000 ft (0 to 9,144 m)
Shock	Operating	40 G, 2-3 ms, half-sine
	Non-operating	165cm/sec, 2-3mm, half-sine
Vibration	Operating	0.21 G 5 to 500 Hz, random
	Non-operating	2.09G, 5 to 500Hz, random
	Non-operating	0.5G, zero to peak, 5 to 500Hz, 0.5 oct/min sweep rate, sine

SERVICE AND SUPPORT

1-year standard parts and labor limited warranty, depending on country (upgrades available)*; 1-year limited warranty on primary battery. Optional HP Care Pack Services** are extended service contracts which go beyond your standard warranties.

* On-site standard support available in Australia only.

** Sold separately or purchased as an optional feature. Service levels and response times for HP Care Packs may vary depending on your geographic location. Service starts on date of hardware purchase. Restrictions and limitations apply. For details, visit: <http://www.hp.com/go/cpc>.

Technical Specifications

SYSTEM UNIT (ELITEPAD ONLY)

Stand-Alone Power Requirements (AC Power)	Nominal Operating Voltage	TBD V
	Average Operating Power	TBD W
	Max Operating Power	< 10 W
Temperature	Operating	32° to 95° F (0° to 35° C)
	Non-operating	-4° to 140° F (-20° to 60° C)
Relative Humidity	Operating	10% to 90%, non-condensing
	Non-operating	5% to 95%, 101.6° F (38.7° C) maximum wet bulb temperature
Shock	Operating	40 G, 2 ms, half-sine
	Non-operating	200 G, 2 ms, half-sine
Random Vibration	Operating	0.75 grms
	Non-operating	1.50 grms
Altitude (unpressurized)	Operating	-50 to 10,000 ft (-15.24 to 3,048 m)
	Non-operating	-50 to 40,000 ft (-15.24 to 12,192 m)
Planned Industry Standard Certifications	UL	Yes
	CSA	Yes
	FCC Compliance	Yes
	ICES	Yes
	Australia / NZ A-Tick Compliance	Yes
	CCC	Yes
	Japan VCCI Compliance	Yes
	KC	Yes
	BSMI	Yes
	CE Marking Compliance	Yes
	BNCI or BELUS	Yes
	CIT	Yes
	GOST	Yes
	Saudi Arabian Compliance (ICCP)	Yes
SABS	Yes	
UKRSERTCOMPUTER	Yes	

* For accessibility information on HP products, please visit: <http://www.hp.com/accessibility>.

DISPLAYS

Technical Specifications

10.1-inch diagonal WXGA wide-viewing angle display	Dimensions (W x H)	9 x 5.83 in (228.6 x 148.2 mm)		
	Diagonal Size	10.1 in (256.5 mm)		
	Surface Treatment	Anti-glare		
	Contrast Ratio	600:1		
	Refresh Rate	60 Hz		
	Brightness	400 nit (typical)		
	Pixel Resolution	Pitch	0.1695mm x 0.1695 mm	
		Format	1280 x 800 (WXGA)	
		Configuration	RGB Stripe	
	Backlight	LED		
	PPI	150		
Viewing Angle	UWVA 85/85/85/85			

STORAGE AND DRIVES

Internal Storage

64 GB* embedded Multi Media Card	Drive Weight	Up to 2g		
	Capacity	64 GB		
	Height	Up to 16mm		
	Width	Up to 12mm		
	Interface	MultiMediaCard Bus		
	Performance	Maximum Sequential Read	Maximum Sequential Write	
		Up to 80 MB/s	Up to 40MB/s	
	Features	Embedded Multi Media Card v4.41 compliant, TRIM, Secure Erase, CMD5 support, Partition management, Enhanced Write Protection		

*For storage drives, GB = 1 billion bytes. Actual formatted capacity is less. Up to 5GB of system disk is reserved for system recovery software.

NETWORKING/COMMUNICATIONS

802.11a/b/g/n* (2x2) Bluetooth v4.0 combo	Wireless LAN Standards	IEEE 802.11a IEEE 802.11b IEEE 802.11g IEEE 802.11n	
	Interoperability	Wi-Fi certified Cisco Compatible Extensions Program compliant with Microsoft Windows 7, Windows Vista and XP (details at: http://www.hp.com/go/notebooks/WLAN)	
	Frequency Band	2.4 GHz and 5 GHz	

Technical Specifications

Data Rates	802.11a: 6, 9, 12, 18, 24, 36, 48, 54 Mbps 802.11b: 1, 2, 5.5, 11 Mbps 802.11g: 6, 9, 12, 18, 24, 36, 48, 54 Mbps 802.11n: 66 possible data rates, ranging from 6 Mbps to 300 Mbps, depending on the combination of Bandwidth, Modulation Coding Scheme, and Guard Interval used, as defined in IEEE 802.11n specification
Modulation	Direct Sequence Spread Spectrum DBPSK, DQPSK, CCK, OFDM, BPSK, QPSK, 16-QAM, 64-QAM
Security¹	Supports 64- and 128-bit WEP, WPA, WPA2, hardware-accelerated AES, 802.1x authentication types EAP-TLS, EAP-TTLS, PEAP-GTC, PEAP-MSCHAPv2, LEAP, EAP-FAST. Support for Cisco Security Features (proven compatibility with Cisco Aironet infrastructure products through the Cisco Compatible Extensions Program Version 5) with Microsoft Windows 7, Windows Vista and XP only.
Sub-channels	Multinational support with frequency bands and channels compliant to local regulations.
Media Access Protocol	CSMA/CA (Collision Avoidance) with ACK
Network Architecture Models	Ad-hoc (Peer to Peer) Infrastructure (Access Point Required)
Roaming	IEEE 802.11 compliant roaming between access points
Output Power²	13.5 dBm , nominal
Power Consumption	Idle associated: 250 mW Idle unassociated: 100 mW Radio disabled: 75mW Transmit: 2.0 W (max) Receive: 1.6 W (max)
Power Management	ACPI compliant power management 802.11 compliant power saving mode
Receiver Sensitivity³	54 Mbps: -71 dBm, 11 Mbps: -85 dBm , 1 Mbps: -95 dBm
Antenna Connections	High efficiency dual band antenna with spatial diversity, mounted in the display enclosure
Form Factor	PCI-Express Half-MiniCard 1.2
Weight	0.013 lb (6 g)
Dimensions	0.19 x 1.06 x 1.18 in (4.75 x 26.8 x 30 mm)
LED Activity	LED Off - Radio OFF; Solid LED On - Radio ON
	<ol style="list-style-type: none"> 1. Check latest software/driver release for updates on supported security features. 2. Maximum output power may vary by country according to local regulations. 3. Receiver sensitivity is measured at a packet error rate of 8% for 802.11b (CCK modulation) and a packet error rate of 10% for 802.11a/g (OFDM modulation). <p>*Wireless access point and internet access required. Availability of public wireless access points limited.</p>
Bluetooth 4.0 Wireless Technology	Bluetooth Specification 2.1+EDR, 3.0+, 4.0 Compliant Dimensions 1.18 x 0.26 x 0.13 in (30 x 6.5 x 3.25 mm) Frequency Band 2402 to 2480 MHz

Technical Specifications

Number of Available Channels	79 (1 MHz) available channels
Data Rates and Throughput	3 Mbps data rate; throughput up to 2.17 Mbps Synchronous Connection Oriented links up to 3, 64 kbps, voice channels Asynchronous Connection Less links 2178.1 kbps/177.1 kbps asymmetric or 1306.9 kbps symmetric
Transmit Power	Max 4 dBm (Bluetooth Class II)
Receiver Sensitivity	Better than -80 dBm at 0.1 % raw bit error rate
Power Consumption	Average 230mW Sleep <1 mW
Antenna	Internally integrated within module
Range	Up 33 ft (10 m)
Electrical Interface	USB 2.0 compliant Microsoft Windows Plug and Play compliant
Bluetooth Software Supported	Broadcom Bluetooth for Windows Microsoft Windows Bluetooth Software
Link Topology	Point to Point, Multipoint Pico Nets up to 7 slaves
Security	Full support of Bluetooth Security Provisions
Power Management	Microsoft Windows ACPI, and USB Bus Support Self-configurable to optimize power conservation in all operating modes, including Standby, Hold, Park, and Sniff
Certifications	All necessary regulatory approvals for supported countries, including: FCC (47 CFR) Part 15C, Section 15.247 & 15.249 ETS 300 328, ETS 300 826 Low Voltage Directive IEC950 UL, CSA, and CE Mark
Bluetooth Profiles Supported	Serial Port Profile (SPP) Service Discovery Application Profile (SDAP) Dial-Up Networking (DUN) Generic Object Exchange Profile (GOEP) Object Push Profile (OPP) File Transfer Profile (FTP) Synchronization Profile (SYNC) Hard Copy Cable Replacement (HCRP) Personal Area Networking Profile (PAN) Human Interface Device Profile (HID) FAX Profile (FAX) Basic Imaging Profile (BIP) Headset Profile (HSP) Hands Free Profile (HFP) Advanced Audio Distribution Profile (A2DP)

Technical Specifications

AUDIO/MULTIMEDIA – Intel Smart Audio DSP with Realtek ALC5642 codec

Audio Output Quality	Frequency Response	20 Hz - 20 kHz
	Signal to Noise Ratio	>85 dB
	Total Harmonic Distortion	0.01%
	Noise Floor	-110 dB
	Play/Record Sampling Rate(s)	8 kHz - 48kHz
	DAC	16, 20 or 24-bit
	ADC	16 or 20-bit

Integrated Stereo Speakers	Power Rating	500mW
	Impedance	4 ohm

POWER

HP 10W non-Smart AC Adapter	Dimensions	2.56 x 2.17 x 1.12 in (65.0 x 55.0 x 28.5 mm)		
	Input	Input	100 to 240 VAC	
		Input dPower Rating	< 15W	
	Output	Input frequency range	47 - 63 Hz	
		Input AC current	0.3A at 90 VAC	
		Voltage	9V +/- 4.0%	
		Constant power	11 W (maximum) continuously between DC output 9V - 6.5V	
		Hold-up time	5 msec at 115 VAC input	
		Output current limit	1.1A	
	Connector	3 pin/grounded, mates with interchangeable cords		
	Environmental Design	Operating temperature	32° to 95° F (0° to 35° C)	
		Non-operating (storage) temperature	-4° to 185° F (-20° to 85° C)	
		Operating altitude	0 to 10,000 ft (0 to 3,048 m)	
		Non-operating altitude	0 to 50,000 ft (0 to 15,240 m)	
Humidity		0% to 95%		
Storage Humidity		0% to 95%		

Technical Specifications

EMI and Safety Certifications	CE Mark - full compliance with LVD and EMC directives; Worldwide safety standards - IEC60950, EN60950, UL60950, Class1, SELV; Agency approvals - C-UL-US, NORDICS, DENAN, EN55022 Class B, FCC Class B, CISPR22 Class B, CCC, NOM-1 NYCE
--------------------------------------	--

HP 2-cell (25 WHr) Polymer Long Life Primary battery	Weight	0.31 lb (0.14 kg)	
	Dimensions (H x W x L)	0.14 x 5.31 x 8.39 in (0.36 x 13.5 x 21.3 cm)	
	Cells/Type	2-cell, Lithium Ion Polymer	
	Energy	Voltage	7.4V
		Amp-hour capacity	3.38Ah
		Watt-hour capacity	25Wh
	Battery Re-Charge Time	System in OFF or Standby Mode	2.5 hours
System ON		3 to 5 hours	

ENVIRONMENTAL

Environmental Data

Eco-Label Certifications This product has received or is in the process of being certified to the following approvals and may be labeled with one or more of these marks:

- IT ECO declaration

System Configuration The configuration used for the Energy Consumption and Declared Noise Emissions data is based on a "Typically Configured Notebook"

Energy Consumption	115 VAC	230 VAC	100 VAC
Normal Operation	NA W	NA W	NA W
Sleep (Energy Star low power mode)	NA W	NA W	NA W
Off	NA W	NA W	NA W
Heat Dissipation*	115 VAC	230 VAC	100 VAC
Normal Operation	NA BTU/hr	NA BTU/hr	NA BTU/hr
Sleep	NA BTU/hr	NA BTU/hr	NA BTU/hr
Off	NA BTU/hr	NA BTU/hr	NA BTU/hr

* Heat dissipation is calculated based on the measured watts, assuming the service level is attained for one hour.

**Declared Noise Emissions
(in accordance with
ISO 7779 and ISO 9296)**

Technical Specifications

System Fan Off	Sound Power (LWAd, bels)	Sound Pressure (LpAm, decibels)
Idle	2.6	14
Fixed Disk (random writes)	2.6	14

System fan is usually off except when charging the battery

Batteries

This battery(s) in this product comply with EU Directive 2006/66/EC

Batteries used in the product do not contain:

- Mercury greater the 5ppm by weight
- Cadmium greater than 10ppm by weight

The battery type and chemistry used in the product is:

2-cell, Lithium Ion Polymer battery

Additional information

This product is in compliance with the Restrictions of Hazardous Substances (RoHS) directive - 2002/95/EC.

This product is in compliance with the Restrictions of Hazardous Substances (RoHS) directive - 2002/95/EC.

This HP product is designed to comply with the Waste Electrical and Electronic Equipment (WEEE) Directive - 2002/96/EC.

This product is in compliance with California Proposition 65 (State of California; Safe Drinking Water and Toxic Enforcement Act of 1986).

Plastics parts weighing over 25 grams used in the product are marked per ISO 11469 and ISO1043.

This product contains 8.5% post consumer recycled plastic (by wt.)

This product is greater than 97.9% recycle-able when properly disposed of at end of life.

Packaging Materials

- External:
 - PAPER/Paper 287.2 g
- Internal:
 - PLASTIC/Polyethylene low density 6.5 g
 - PLASTIC/EPE-Expanded Polyethylene 29 g
- The PAPER/Paper packaging material is made from 17% recycled content.
- The PLASTIC/Polyethylene low density solid packaging material is made from 0% recycled content.
- The PLASTIC/EPE-Expanded Polyethylene solid packaging material is made from 0% recycled content.

Technical Specifications

HP follows these guidelines to decrease the environmental impact of product packaging:

- Eliminate the use of heavy metals such as lead, chromium, mercury and cadmium in packaging materials.
- Eliminate the use of ozone-depleting substances (ODS) in packaging materials.
- Design packaging materials for ease of disassembly.
- Maximize the use of post-consumer recycled content materials in packaging materials.
- Use readily recyclable packaging materials such as paper and corrugated materials.
- Reduce size and weight of packages to improve transportation fuel efficiency.
- Plastic packaging materials are marked according to ISO 11469 and DIN 6120 standards.

MATERIAL USAGE

This product does not contain any of the following substances in excess of regulatory limits (for reference of these limits please refer to the HP General Specification of the Environment

(http://www.hp.com/hpinfo/globalcitizenship/environment/supplychain/gen_specifications.html):

- Asbestos
- Certain Azo Colorants
- Certain Brominated Flame Retardants – may not be used as flame retardants in plastics
- Cadmium
- Chlorinated Hydrocarbons
- Chlorinated Paraffins
- Formaldehyde
- Halogenated Diphenyl Methanes
- Lead carbonates and sulfates
- Lead and Lead compounds
- Mercuric Oxide Batteries
- Ozone Depleting Substances
- Polybrominated Biphenyls (PBBs)
- Polybrominated Biphenyl Ethers (PBBEs)
- Polybrominated Biphenyl Oxides (PBBOs)
- Polychlorinated Biphenyl (PCB)
- Polychlorinated Terphenyls (PCT)
- Polyvinyl Chloride (PVC) – except for wires and cables, and certain retail packaging has been voluntarily removed from most applications.
- Radioactive Substances
- Tributyl Tin (TBT), Triphenyl Tin (TPT), Tributyl Tin Oxide (TBTO)
- Nickel finishes that release greater than 0.5 µgrams/cm²/week, measured according to EN 1811:1998, are not used on any product surface designed to be frequently handled or touched by users.

END-OF-LIFE MANAGEMENT AND RECYCLING

Hewlett-Packard offers end-of-life HP product return and recycling programs in many geographic areas. To recycle your product, please go to: <http://www.hp.com/go/reuse-recycle> or contact your nearest HP sales office. Products returned to HP will be recycled,

Technical Specifications

recovered or disposed of in a responsible manner.

The EU WEEE directive (2002/95/EC) requires manufacturers to provide treatment information for each product type for use by treatment facilities. This information (product disassembly instructions) is posted on the Hewlett Packard web site at: <http://www.hp.com/go/recyclers>. These instructions may be used by recyclers and other WEEE treatment facilities as well as HP OEM customers who integrate and re-sell HP equipment.

HEWLETT-PACKARD CORPORATE ENVIRONMENTAL INFORMATION

For more information about HP's commitment to the environment:

Global Citizenship Report

<http://www.hp.com/hpinfo/globalcitizenship/gcreport/index.html>

Environment website

<http://www.hp.com/environment>

Eco-label certifications

<http://www.hp.com/hpinfo/globalcitizenship/environment/productdesign/ecolabels.html>

ISO 14001 certificates:

<http://www.hp.com/hpinfo/globalcitizenship/environment/operations/envmanagement.html>

Options and Accessories (sold separately and availability may vary by country)

Type	Description	Part #
Power	HP ElitePad Jacket Battery	H4F20AA
	HP ElitePad 10W AC Adapter	H4K08AA
	HP 40W Smart A/C Adapter	H5W93AA
Charging	HP Multi-Tablet Charging Module	H4W98AA
Adapters	HP ElitePad Smart AC Adapter	H3N47AA
	HP ElitePad HDMI & VGA Adapter	H3N45AA
	HP ElitePad Serial Adapter	H3N50AA
	HP ElitePad Ethernet Adapter	H3N49AA
	HP ElitePad SD Card Reader	H3N48AA
Input/Output	HP Slim Bluetooth Keyboard	H4Q44AA

Copyright © 2013 Hewlett-Packard Development Company, L.P.

Intel and Atom are registered trademarks or trademarks of Intel Corporation in the U.S. and/or other countries. Bluetooth is a registered trademark of its proprietor and used by Hewlett-Packard Company under license. Microsoft and Windows are U.S. registered trademarks of Microsoft Corporation.

The information contained herein is subject to change without notice and is provided "as is" without warranty of any kind. The warranties for HP products are set forth in the express limited warranty statements accompanying such products. Nothing herein should be construed as constituting an additional warranty. HP shall not be liable for technical or editorial errors or omissions contained herein.